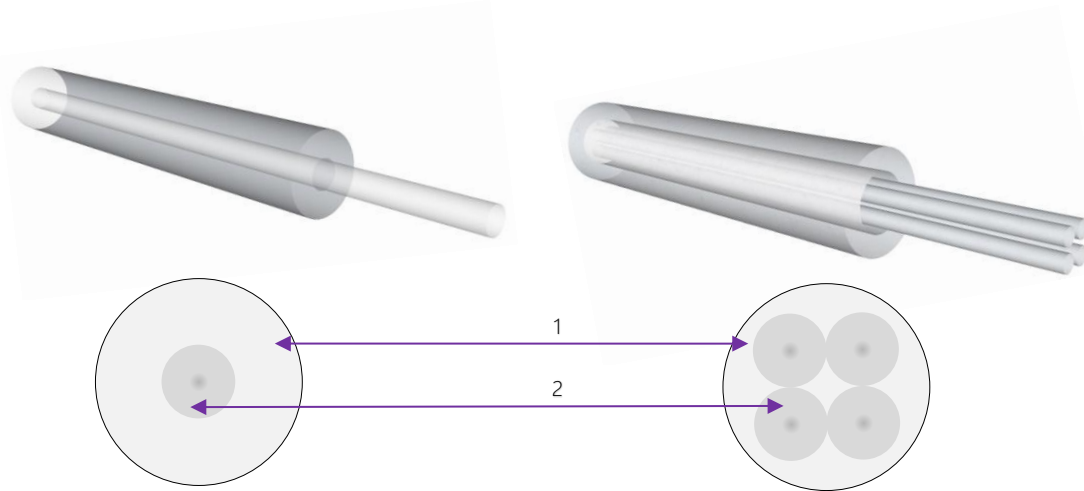


Invisible Cable

07/09/2017

- Bend-insensitive fiber
- Undetectable to the during normal observation
- For direct connecting
- Up to 4 fibers



1. Transparent coating
2. Natural optical fiber

Pictures not to scale

Optical Fibers

The cable can be supplied with bend-insensitive SMF 9/125 μm and MMF 50/125 μm .

Transparent coating

The coating is made from the UV curable transparent hard acrylate.

Parameter	Reference acc. to IEC 794-1	Value
Crush resistance	E3	10 N/10cm
Temperature range	F1	-40°C to +80°C

Nominal Outer diameter	Cable inf. Weight (calc.)	Standard put-up length	Spool
0,9 mm	0,8 (2 and 4F 1,0) kg/km	2000m, 4000m, 8000 m \pm 5% m	26 \times 17 \times 16, K355

Ordering information

Fiber Type	Ordering Code	Fiber Type	Ordering Code
G.657.A1	OPK-U-SPCM-1(1x0,9)FFQ-A1-NT	G.657.A1	OPK-U-SPCM-2(2x0,9)FFQ-A2-NT
G.657.A2	OPK-U-SPCM-1(1x0,9)FFQ-A2-NT	G.657.A2	OPK-U-SPCM-2(2x0,9)FFQ-A2-NT
G.657.B3	OPK-U-SPCM-1(1x0,9)FFQ-B3-NT	G.657.B3	OPK-U-SPCM-2(2x0,9)FFQ-B3-NT
OM2	OPK-U-SPCM-1(1x0,9)FFQ-OM2-NT	OM2	OPK-U-SPCM-2(2x0,9)FFQ-OM2-NT
OM3	OPK-U-SPCM-1(1x0,9)FFQ-OM3-NT	OM3	OPK-U-SPCM-2(2x0,9)FFQ-OM3-NT
OM4	OPK-U-SPCM-1(1x0,9)FFQ-OM4-NT	OM4	OPK-U-SPCM-2(2x0,9)FFQ-OM2-NT

Fiber Type	Ordering Code
G.657.A1	OPK-U-SPCM-4(4x0,9)FFQ-A4-NT
G.657.A2	OPK-U-SPCM-4(4x0,9)FFQ-A2-NT
G.657.B3	OPK-U-SPCM-4(4x0,9)FFQ-B3-NT
OM2	OPK-U-SPCM-4(4x0,9)FFQ-OM2-NT
OM3	OPK-U-SPCM-4(4x0,9)FFQ-OM3-NT
OM4	OPK-U-SPCM-4(4x0,9)FFQ-OM4-NT

Specifications are to change without notice